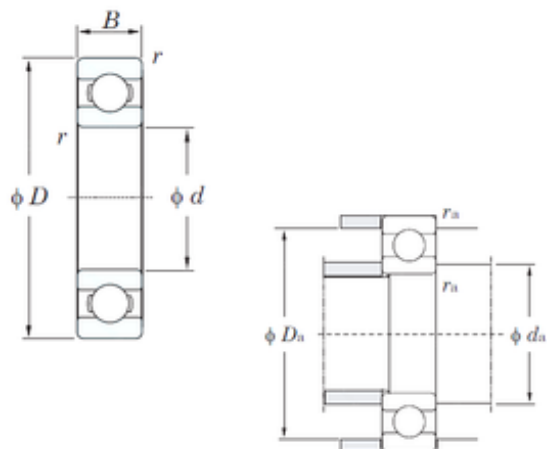




China Abec 5 Bearing Supplier



6208 Bearing 2D drawings and 3D CAD models

6208 NTN Koyo SKF Engineering Machinery Deep Groove Ball Bearing

Bearing No. 6208

Size	40x80x18 mm
Bore Diameter	40 mm
Outer Diameter	80 mm
Width	18 mm
d	40 mm
D	80 mm
B	18 mm
C	18 mm
r min.	1,1 mm
da min.	46,5 mm
Da max.	73,5 mm
ra max.	1 mm
Weight	0,366 Kg
Basic dynamic load rating (C)	29,1 kN
Basic static load rating (C0)	17,8 kN
(Grease) Lubrication Speed	8300 r/min
(Oil) Lubrication Speed	10000 r/min
Category	Single Row Ball Bearings
Inventory	0.0
Manufacturer Name	KOYO
Minimum Buy Quantity	N/A
Weight / Kilogram	0.402
Product Group	B00308
Enclosure	Open
Precision Class	ABEC 1 ISO P0



China Abec 5 Bearing Supplier

Maximum Capacity / Filling Slot	No
Rolling Element	Ball Bearing
Snap Ring	No
Internal Special Features	No
Cage Material	Steel
Internal Clearance	C0-Medium
Inch - Metric	Metric
Long Description	40MM Bore; 80MM Outside Diameter; 18MM Outer Race Diameter; Open; Ball Bearing; ABEC 1 ISO P0; No Filling Slot; No Snap Ring; No Internal Special Features
Category	Single Row Ball Bearing
UNSPSC	31171504
Harmonized Tariff Code	8482.10.50.68
Noun	Bearing
Keyword String	Ball
Manufacturer URL	http://www.koyousa.com
Manufacturer Item Number	6208
Weight / LBS	0.885
Outside Diameter	3.15 Inch 80 Millimeter
Outer Race Width	0.709 Inch 18 Millimeter
Bore	1.575 Inch 40 Millimeter
Bearing No.	6208
r(min)	1.1
Cr	36.4
C0r	17.8
Cu	1.25
f0	14.0
Grease lub.	8300
Oil lub.	10000



China Abec 5 Bearing Supplier

da(min)	46.5
Da(max)	73.5
ra(max)	1
(Refer.)Mass(kg)	0.366